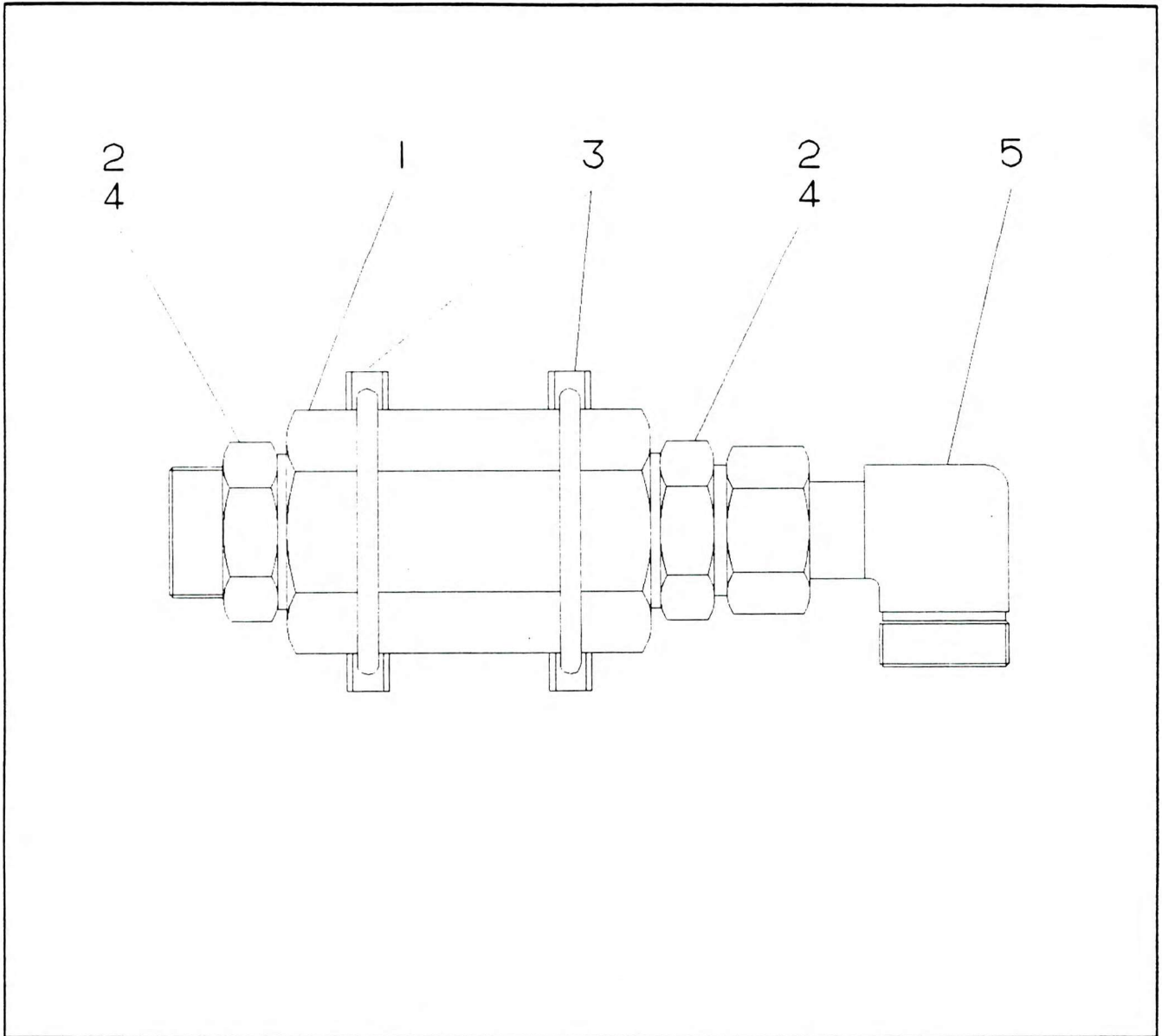


CHECK VALVE ASSEMBLY



| NO. | PART NO. | QTY. | DESCRIPTION | NO. | PART NO. | QTY. | DESCRIPTION |
|-----|--------------|------|--------------------------------|-----|----------|------|-------------|
| 1 + | 8363146 | 1 | Valve Check 1½" BSP 1.5 Bar | | | | |
| 2 | 7-443-990917 | 2 | Adaptor 1½" BSP/ ORFS | | | | |
| 3 | 7-300-990023 | 2 | Pipe Clamp | | | | |
| 4 | 7355501 | 2 | Bonded Seal 1½" BSP | | | | |
| 5 | 7-447-202033 | 1 | Elbow 90° ORFS 1.11/16x12 | | | | |

+ See further breakdown in this group